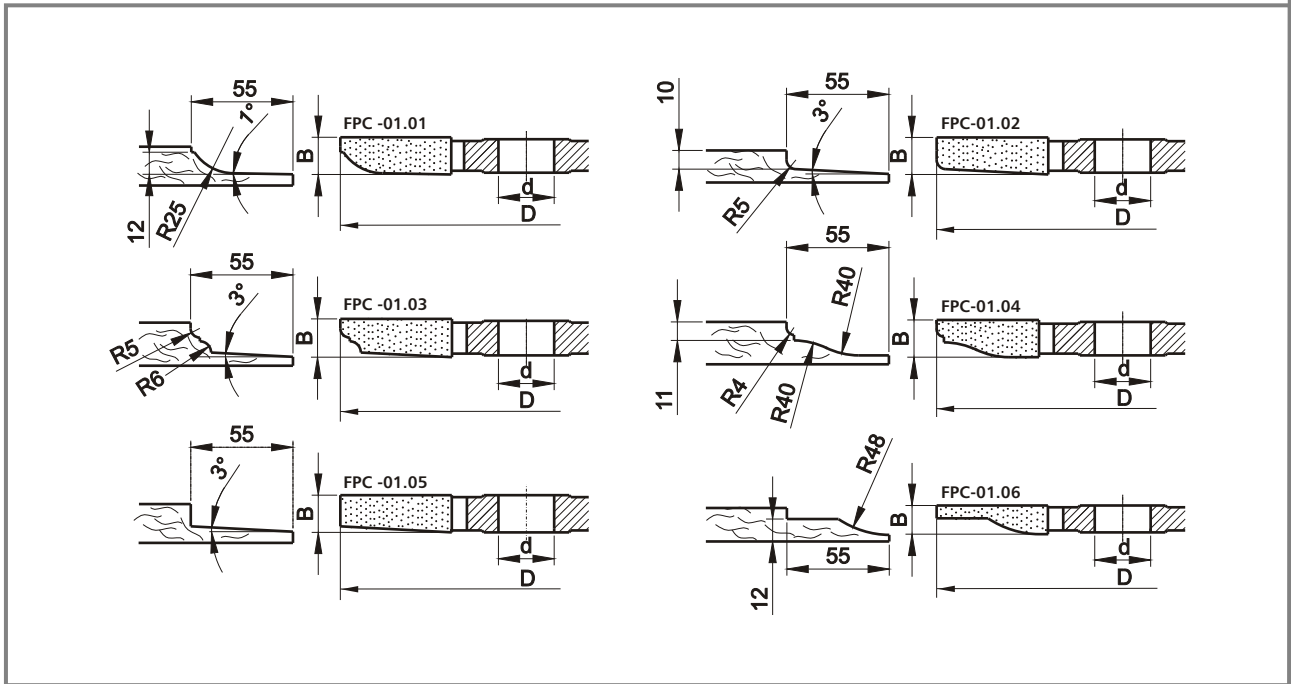


FPC-01 HM

HM - tipped arbor milling cutters for panels made from glued wood and chipboards



	D	B	d	z	o ●
FPC - 01.01	200	20	30	4	o
FPC - 01.02	200	20	30	4	o
FPC - 01.03	200	21	30	4	o
FPC - 01.04	200	20	30	4	o
FPC - 01.05	200	20	30	4	o
FPC - 01.06	200	20	30	4	o