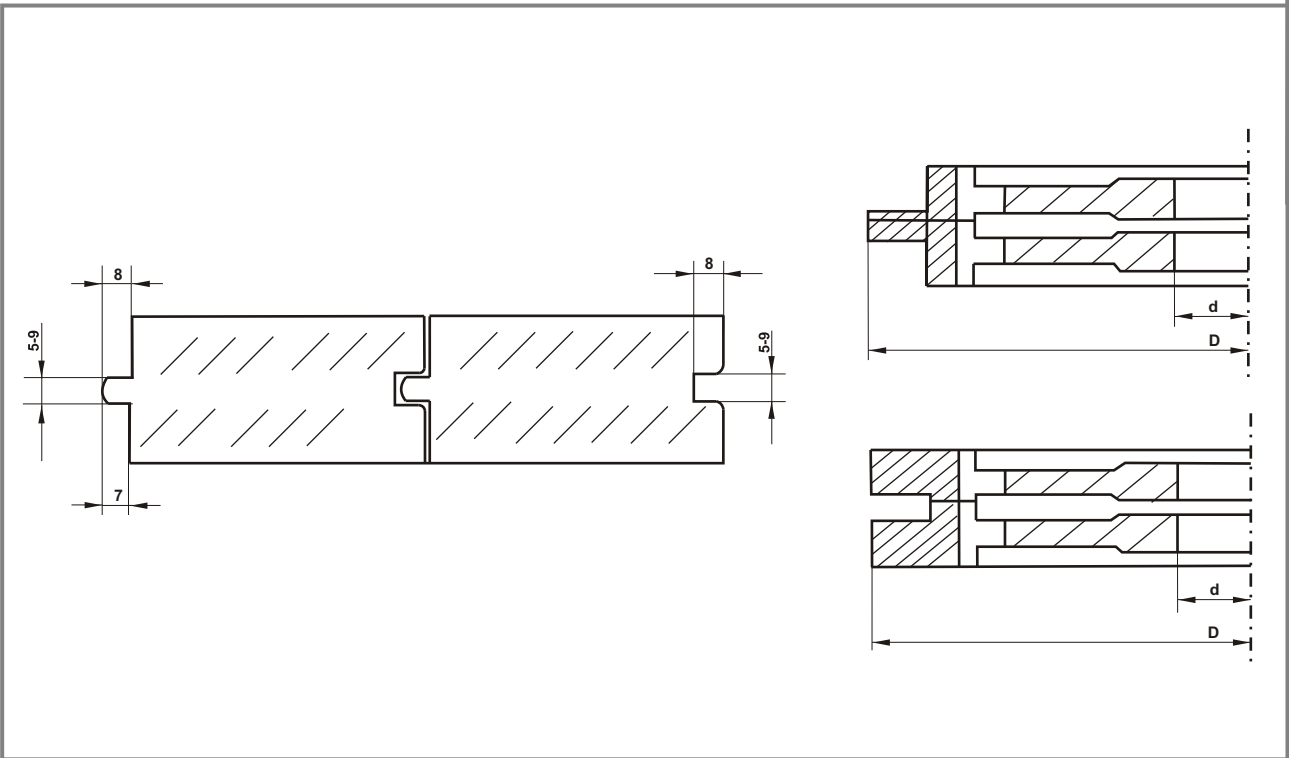


3.7 FORMED PROFILE CUTTERS FOR FLOOR PRODUCTION

Roundings R = 2



D	125	140	160
d	according to order		
z	according to order		

ARBOR MILLING CUTTERS